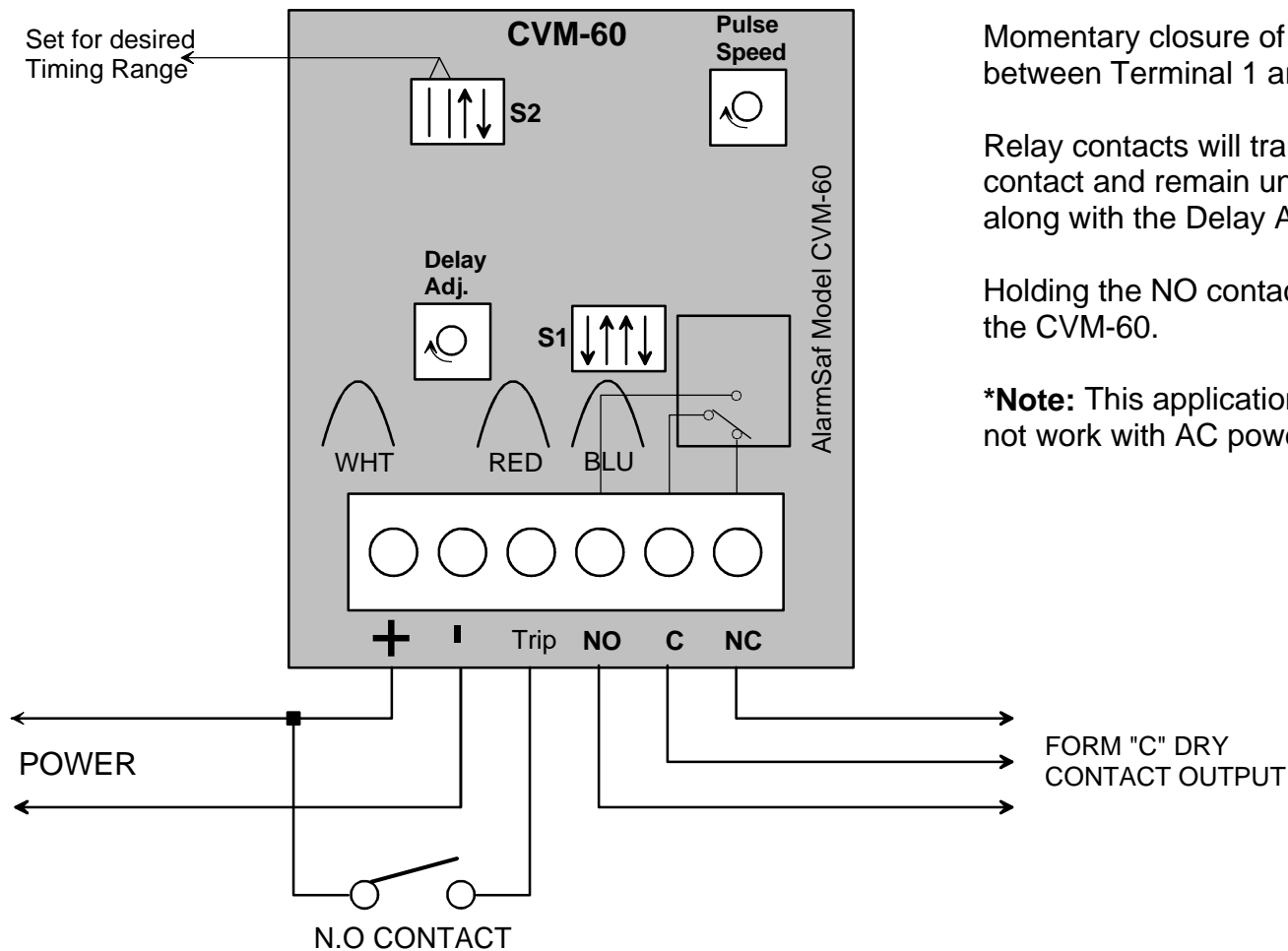




Basic One-Shot From NO Contact Set



Momentary closure of normally open contacts connected between Terminal 1 and 3 will initiate timer operation.

Relay contacts will transfer at the closure of the NO trip contact and remain until the end of the delay selected by S2 along with the Delay Adjustment Potentiometer.

Holding the NO contacts closed will not affect the timeout of the CVM-60.

***Note:** This application is for use with DC power only. It will not work with AC power to the CVM-60.