

CUT-OFF TIMER MODULE (CTM)

AlarmSaf Model CTM-15 is a general purpose timer that features a 5 second to 15 minute adjustable time out and 3 Amp Form "C" relay contacts. This timer is excellent as an economical dialer delay, local alarm delay, or a bell/siren cut off.

DIMENSIONS

Board Size

- 2.50"L x 2.87"W x 1.00"H
- 6.35cm x 7.30cm x 2.54cm

SPECIFICATIONS

Output

- Relay Form "C" Contact
- 3 Amp DC Contact Rating (Resistive)

Required Operating Power

- Standby - 0 Amps
- Input - 6-12VDC Nominal
- During Timeout - 10 mA
- End of Timeout - 115 mA @ 6 or 12VDC
- Coil Resistance - 100 ohms

Adjustments

- Timing adjustable from 5 Seconds to 15 Minutes

Temperature Range

- 32°F to 120°F
- 0°C to 50°C

FEATURES

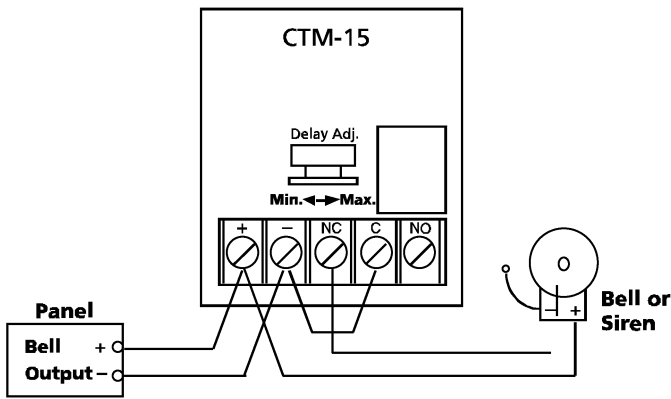
- Small Size
- Zero Current in Standby Mode
- Reverse Polarity Protected
- Quick Connect Terminals
- Double Stick Foam Tape Mounting
- Dry Contact Output Form "C"

TYPICAL USES

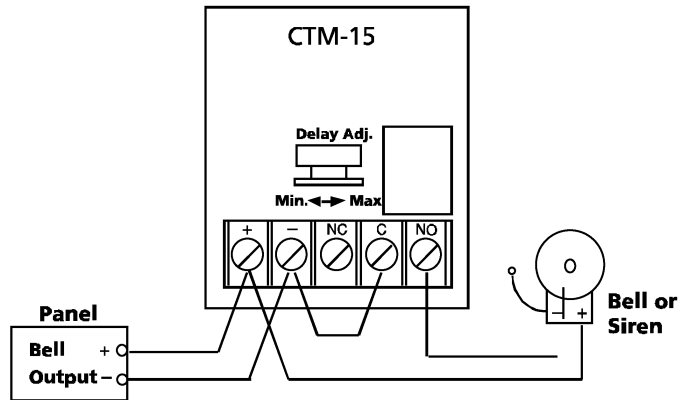
- Exit Delay
- Bell Cut-off
- Siren Cut-off
- Delayed Local Alarm
- Delayed Dialer Trip
- Used with Electric Door Releases, Solenoid, Bolts, Electrical Locks
- Door Alarm

TYPICAL HOOKUPS

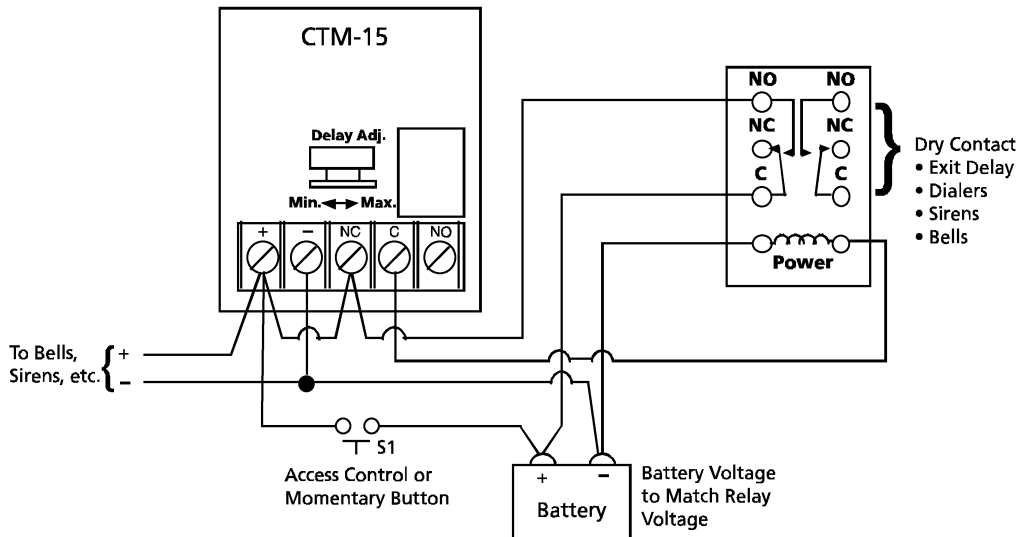
Timer Connection for Bell or Siren Cut-off



Timer Connection for Delayed Local Alarm/Dialer



Timer Hook-up for One-Shot Operation



A momentary closure on (S1) latches or transfers the contacts on the relay and starts the timing function on the CTM-15 timer. At the end of the time, the relay on the CTM-15 transfers the contacts and everything is reset, waiting for the next momentary closure on (S1).

