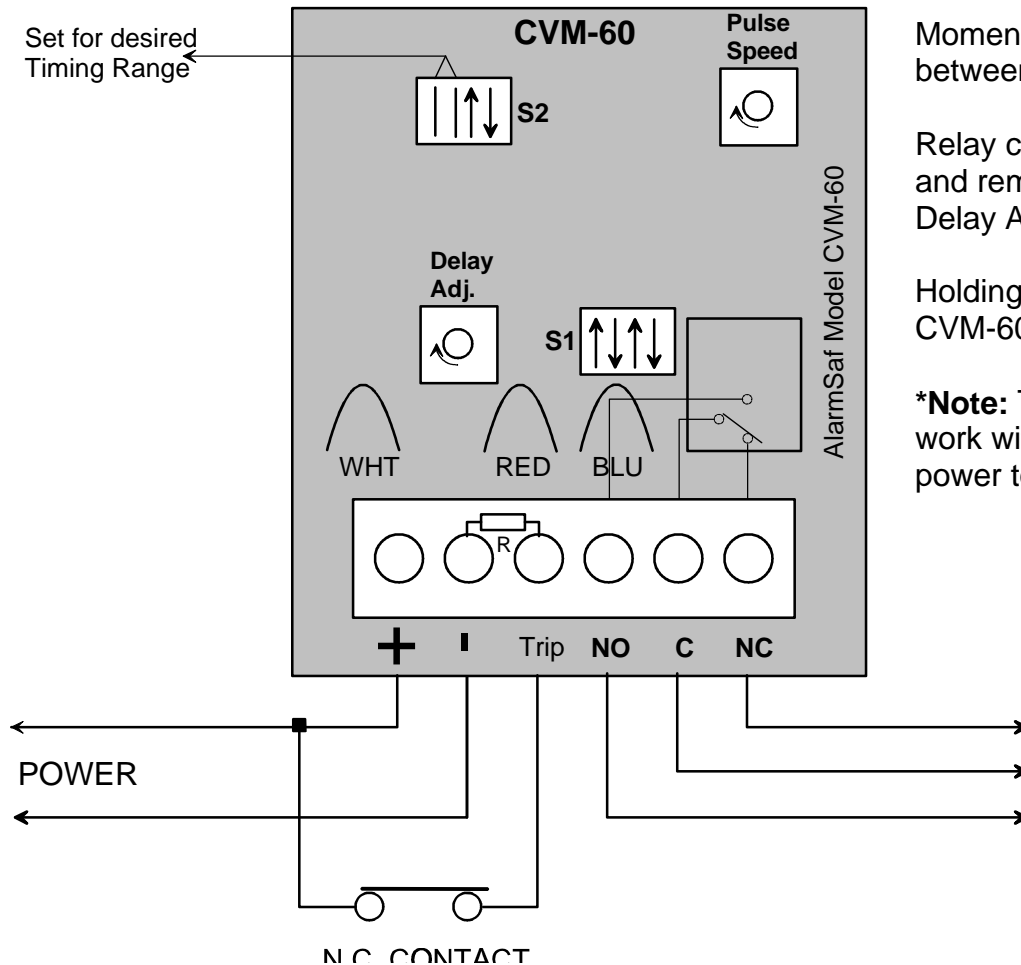




# Basic One Shot with Normally Closed Initiation



Momentary opening of normally closed contacts connected between Terminal 1 and 3 will initiate timer operation.

Relay contacts will transfer at the opening of the NC trip contact and remain until the end of the delay selected by S2 along with the Delay Adjustment Potentiometer.

Holding the NC contacts open will not affect the timeout of the CVM-60.

**\*Note:** This application is for use with DC power only. It will not work with AC power to the CVM-60.

R = Resistor 1K to 100K ohms at 1/4watt 10% minimum. Resistor **must** be present for application to work.

FORM "C" DRY CONTACT OUTPUT