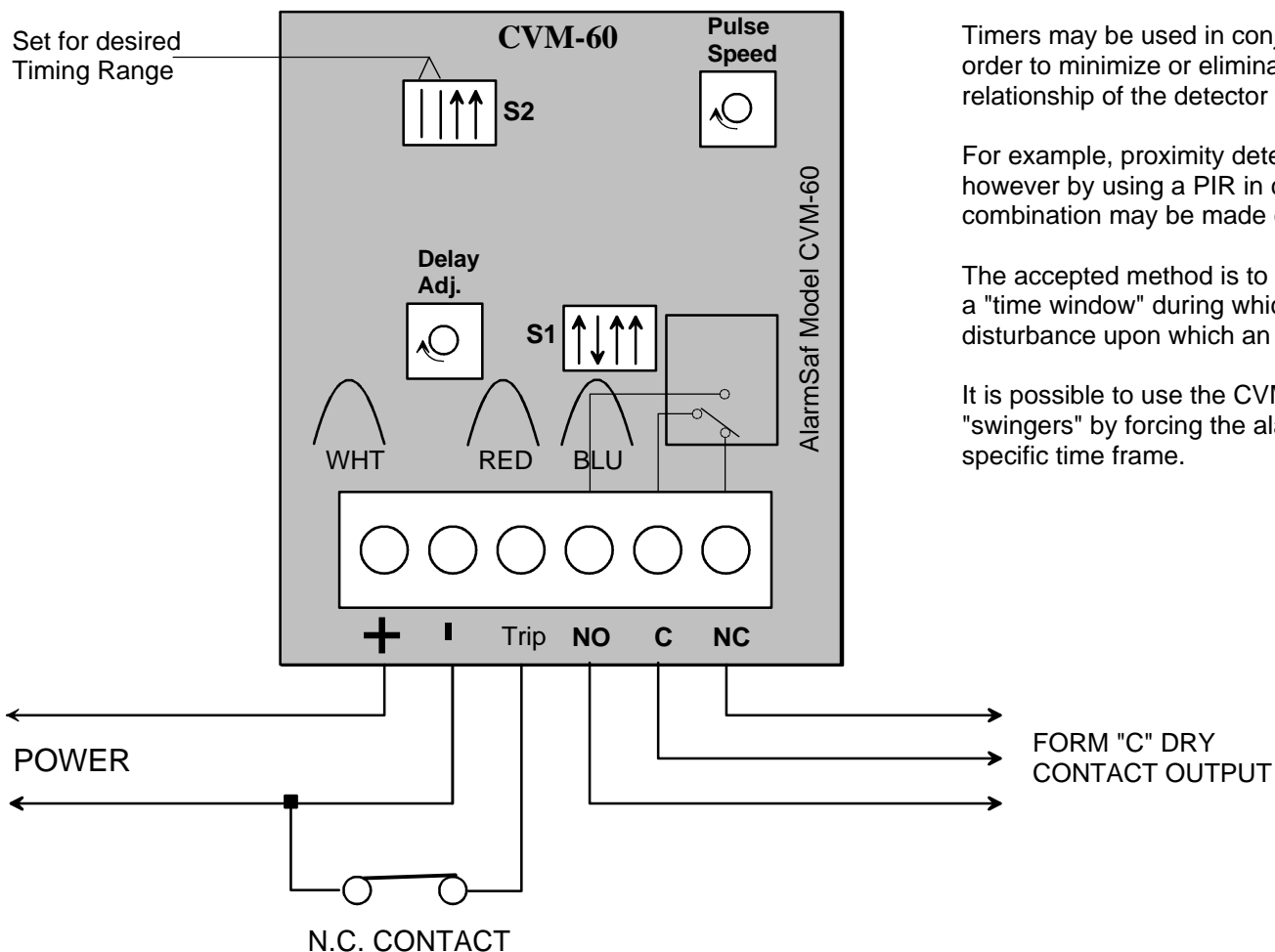




# AlarmVerifier with Normally Closed Contact Initiation



Contact must remain open for entire length of verification delay. If contact closes, timer will reset.

Timers may be used in conjunction with two or more detector types in order to minimize or eliminate the possibility of false alarms due to the relationship of the detector type chosen to the environment.

For example, proximity detectors tend to be false alarm prone; however by using a PIR in conjunction with a proximity detector, the combination may be made essentially foolproof.

The accepted method is to utilize the most unstable detector to initiate a "time window" during which the second detector "looks" for a disturbance upon which an alarm may be initiated.

It is possible to use the CVM-60 timer as an alarm verifier to eliminate "swingers" by forcing the alarm detector to hold in the alarm mode for a specific time frame.