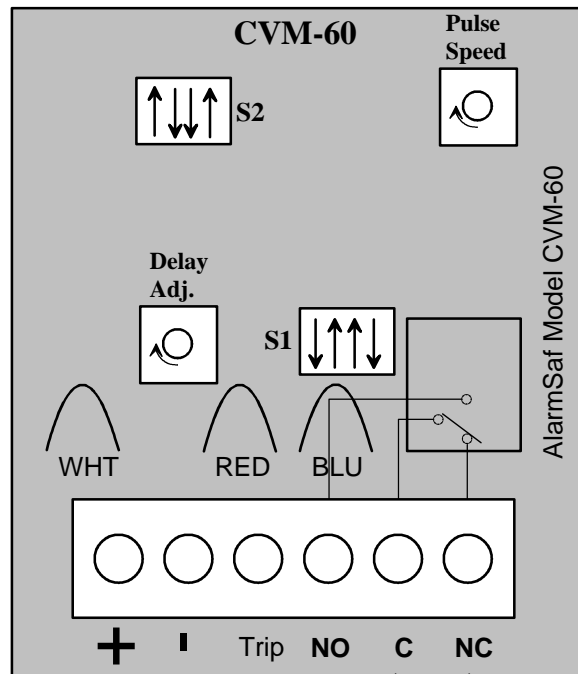




PANIC PULSER



The CVM-60 is used as a repeat timer. Upon activation of a 24 Hour Control Output (Panic Circuit) the timer will alternately switch the output relay contacts turning the Bell or Siren Driver on and off in a pulsing manner. Upon activation of the Burglar Alarm Output, the Bell or Siren Driver will be activated continuously with no pulsing. In the event of an open circuit in the relay coil and an existing alarm condition, the Bell or Siren Driver will operate continuously.

24 HOUR
CONTROL OUTPUT

BURGLAR ALARM
OUTPUT

To Bell/Siren
Etc.