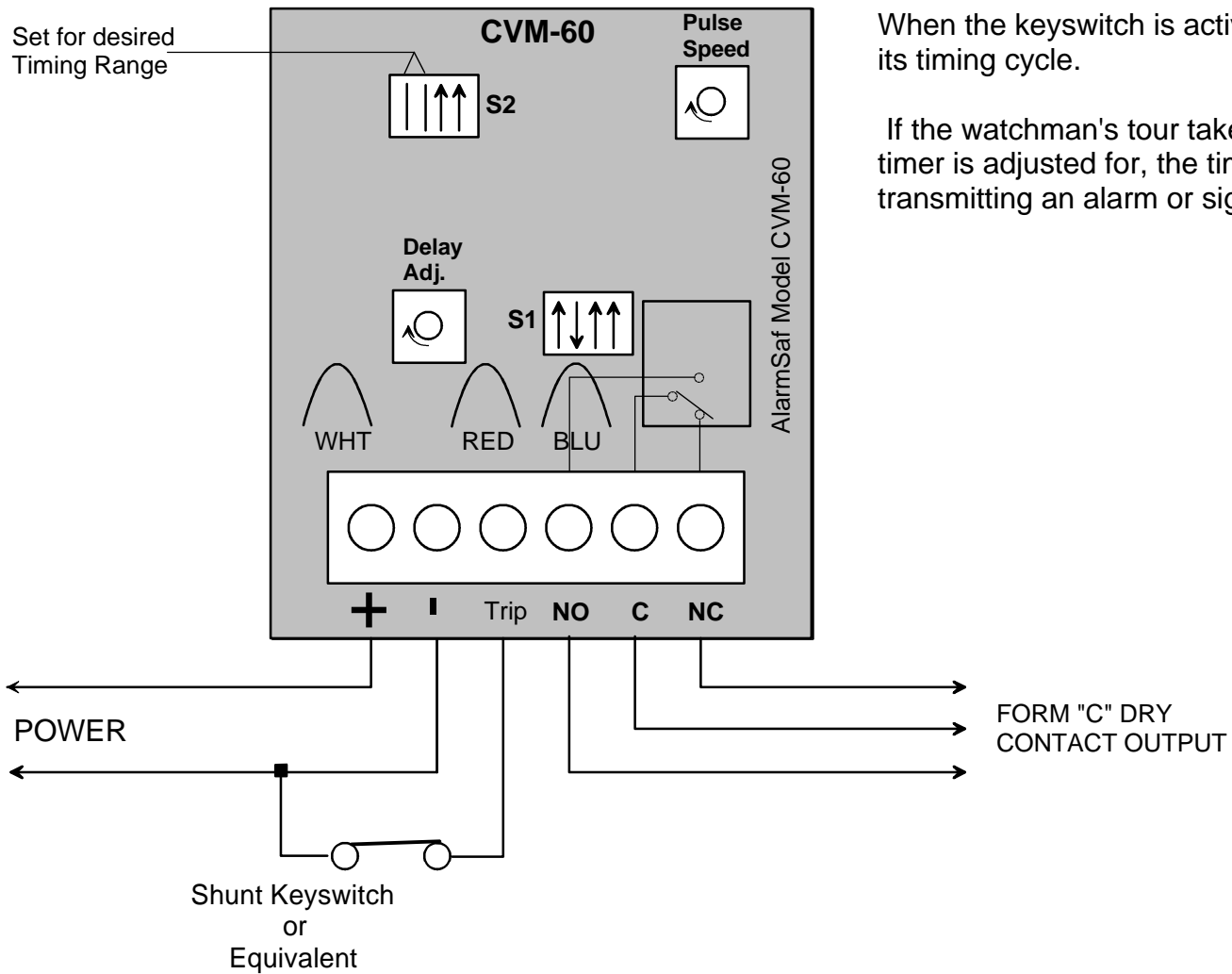




Guard Tour Timer



When the keyswitch is activated (opened), the timer will start its timing cycle.

If the watchman's tour takes a longer period of time than the timer is adjusted for, the timer relay contacts will transfer transmitting an alarm or signaling an alert.