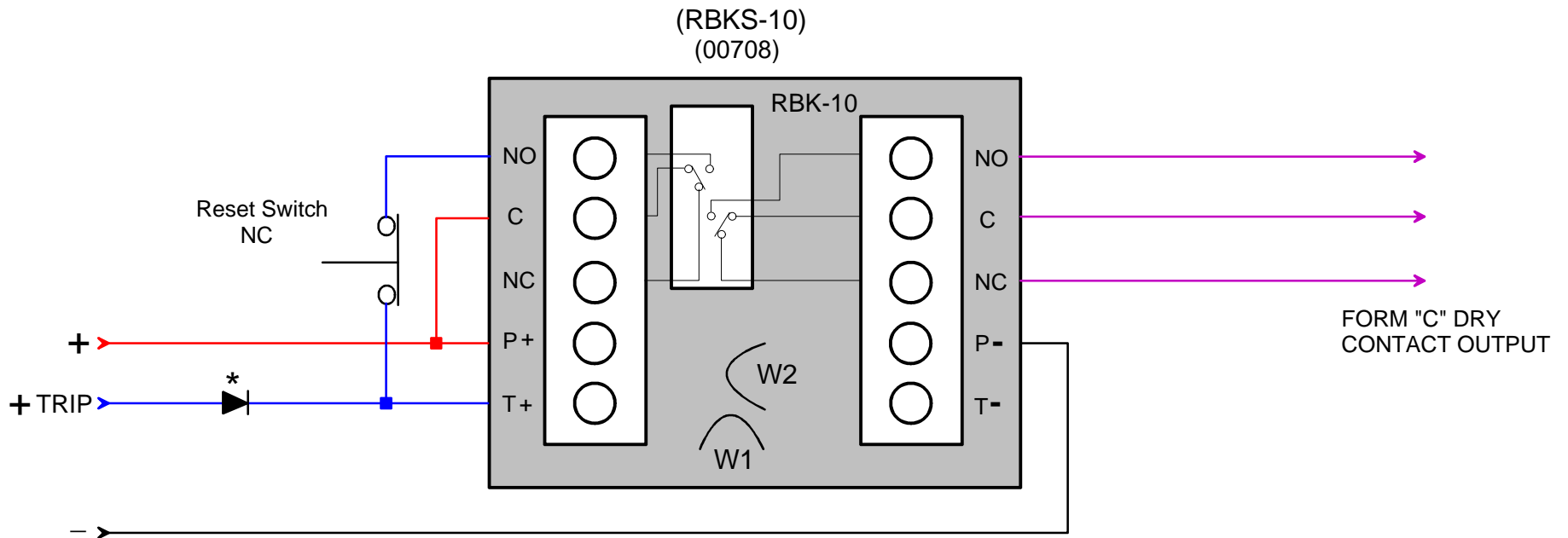




# Latching Relay



Upon application of a positive trip signal to the T+ terminal of the RBKS-10 the relay contacts transfer applying a positive voltage to the T+ terminal thus latching the relay in the alarm condition.

To reset the RBKS-10 momentarily open the NC reset switch.

Optional

\* General Purpose Diode (1N4001) to provide isolation between Trip signal and latching voltage.