



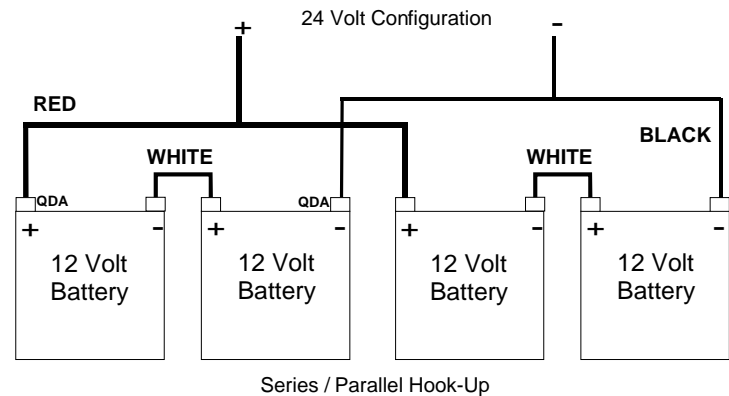
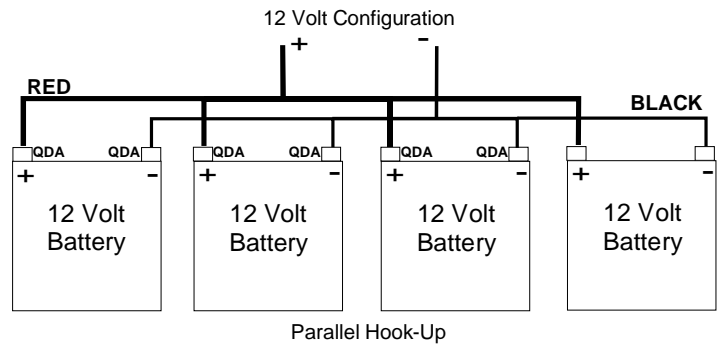
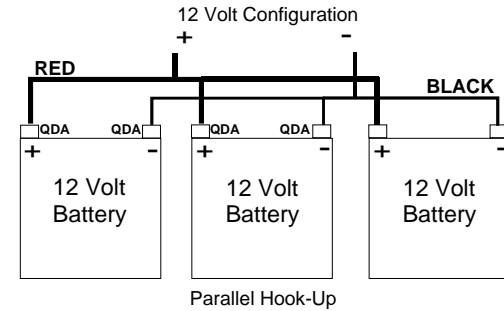
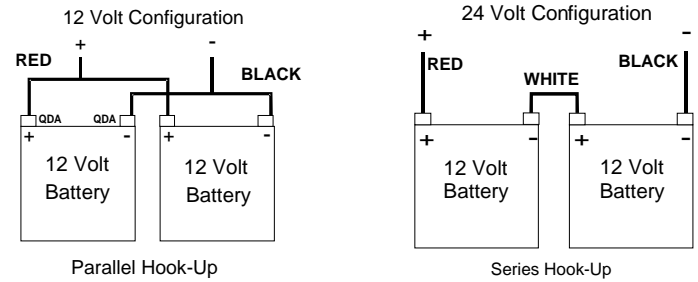
Item Number	Model Number	Maximum AH Storage Within Cabinet	AH Capacity in Package	Battery Harness in Package
00322	BC-01V	(2) 12V4AH or (1) 12V7AH		
00323	BC-02V	(4) 12V4AH, (2) 12V7AH or (1) 12V17AH		
00313	BC-02-12-2B7	(2) 12V7AH	12V @ 14AH	BH-2B7P
00314	BC-02-24-2B7	(2) 12V7AH	24V @ 7AH	BH-2B7S
00303	BC-03	(5) 12V4AH, (2) 12V7AH or (2) 12V17AH		
00304	BC-03-12-2B17	(2) 12V17AH	12V @ 34AH	BH-2B17P
00305	BC-03-24-2B17	(2) 12V17AH	24V @ 17AH	BH-2B17S
00306	BC-04	(3) 12V7AH or (2) 12V17AH		
00307	BC-04-12-2B17	(2) 12V17AH	12V @ 34AH	BH-2B17P
00308	BC-04-24-2B17	(2) 12V17AH	24V @ 17AH	BH-2B17S
00309	BC-05	(4) 12V17AH		
00310	BC-05-12-3B17	(3) 12V17AH	12V @ 51AH	BH-3B17P
00311	BC-05-12-4B17	(4) 12V17AH	12V @ 68AH	BH-4B17P
00312	BC-05-24-4B17	(4) 12V17AH	24V @ 34AH	BH-4B17SP

## Installation Instructions:

1. Mount Battery Cabinet as referenced in *Mechanical Drawings/Mounting Diagrams* on Page 2.
2. Place batteries upright within cabinet, keeping battery terminals away from sides of cabinet or from other battery terminals. Recommended battery type: Sealed lead acid / gel cell.
3. Connect "Quick-Disconnect" connector end of wiring harness to battery terminals. Quick Disconnect Adaptors (QDA) are provided where necessary. See *Battery Hook-up Configurations* for proper connections.
4. Connect spade lug end of wiring harness to battery charger terminals.

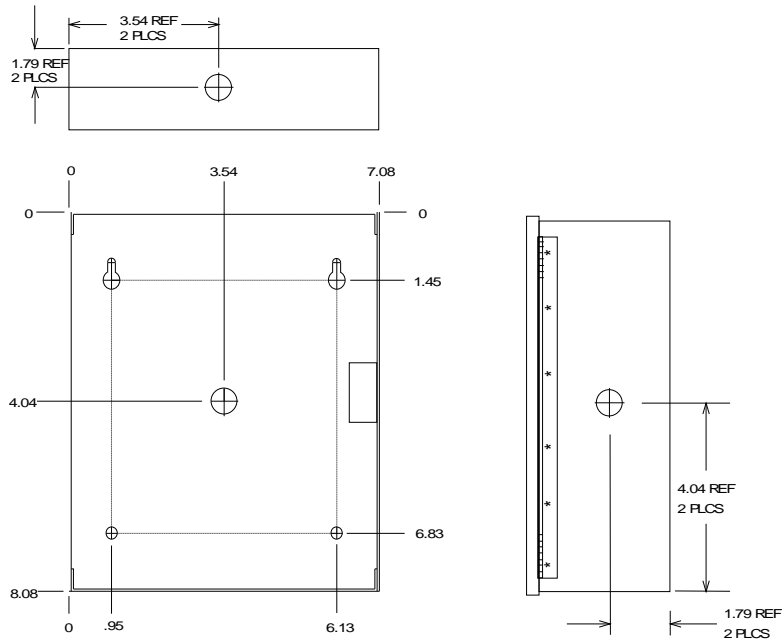
**CAUTION:** Observe polarity. Incorrect polarity may damage system.

## Battery Hook-Up Configurations

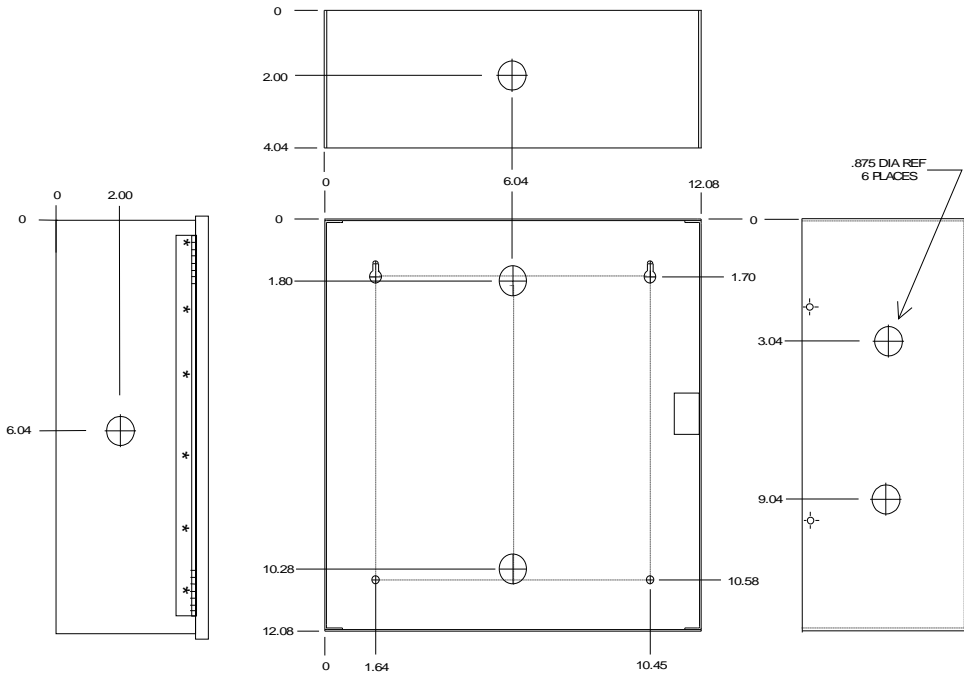


# Mechanical Drawings / Mounting Diagrams

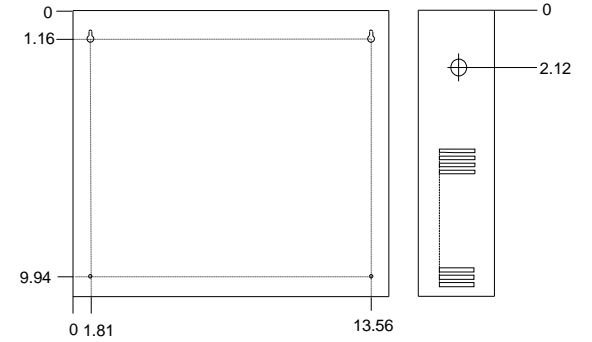
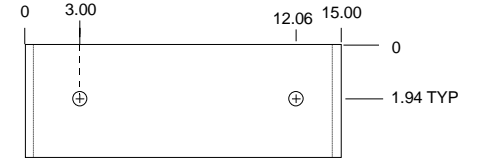
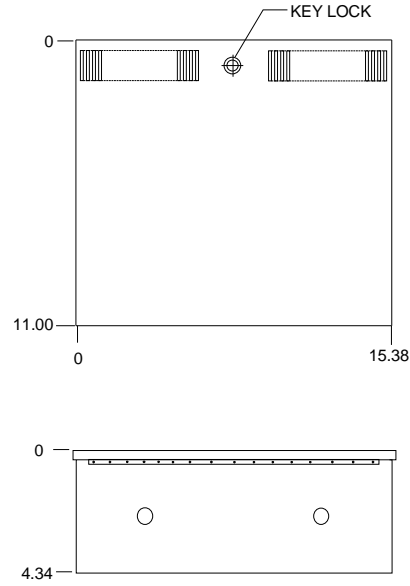
**BC-01: 8" x 7" x 3.5"**



**BC-02: 12" x 12" x 4"**



**BC-03: 11" x 15" x 4"**



**BC-04: 15" x 18" x 4"**

**BC-05: BC-04 with Battery Shelf**

