

## Battery Presence Module (BP-001)

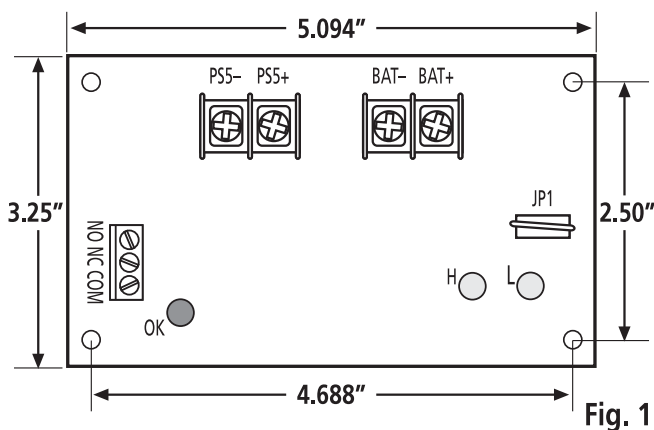
For use with AlarmSaf series PS-5 and CPS power supplies

### Introduction

The AlarmSaf BP-001 Battery Presence Module (order# 00409) can be mounted directly to the cabinet or, when used with an AlarmSaf series PS-5 Power Supply, to the PS-5 as shown in Fig. 2 (below).

### Specifications

- Input voltage: 12/24VDC
- Input current: <15ma
- Operating temperature: 0°C to 50°C (32°F to 122°F)
- Humidity: 85% @ 30°C (86°F)
- Dimensions: 82mm W x 129mm L x 21mm H (3-1/4" W x 5-3/32" L x 13/16" H)



### Fault Relay

The fault relay provides a failsafe Form 'C' contact set. The relay is powered when batteries are connected (normal condition). The relay drops out when batteries are not present and sends a fault indication to the system.

### Cabinet installation

- Drill four 1/8" holes in cabinet at mounting location.
- Install four nylon standoffs with supplied 1/4" screws.
- Mount board to standoffs with four supplied 1/4" screws.

### Installation to a PS-5 power supply (Fig.2)

- Remove the two mounting screws from the terminal strip end of the power supply.
- Replace the mounting screws with supplied 7/16" m-f (male-female) nylon standoffs.
- Connect two supplied 1" nylon standoffs to the mounting holes on the end of the BP-001 away from the terminal strips using two supplied 1/4" screws. These standoffs do not fasten to the cabinet.
- Place the open BP-001 mounting holes over the m-f standoffs and screw together using two 1/4" screws.

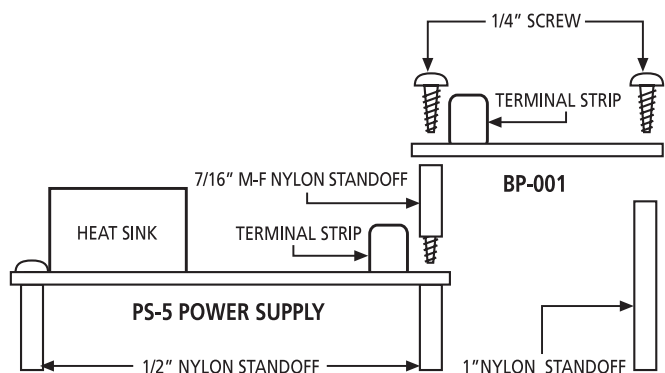


Fig. 2

**WIRING & POWER UP ON PAGE 2 →**  
**follow instructions EXACTLY or**  
**damage to the system can occur.**



**ALARM SAF**

## Battery Presence Module (BP-001)

For use with AlarmSaf series PS-5 and CPS power supplies

### Wiring

#### Wire the Power Supply to the BP Module (Fig.3)

- ① Connect Battery (+) terminal on the power supply to Battery (+) terminal on the BP-001.
- ② Connect DC (+) terminal on the power supply to PS-5 (+) terminal on the BP-001.
- ③ Connect DC (-) terminal on the power supply to PS-5 (-) terminal on the BP-001.

#### Wire the BP Module to the External Equipment

- ④ Connect the System DC field wiring to the PS-5 (+) and PS-5 (-) terminals on the BP-001.

#### Wire the BP Module to the Batteries

- ⑤ Connect Battery Set (+) red wire to the BAT (+) terminal on the BP-001. **DO NOT CONNECT BATTERY SET WIRES TO BATTERY YET.**
- ⑥ Connect Battery Set (-) black wire to the BAT (-) terminal on the BP-001. **DO NOT CONNECT BATTERY SET WIRES TO BATTERY YET.**

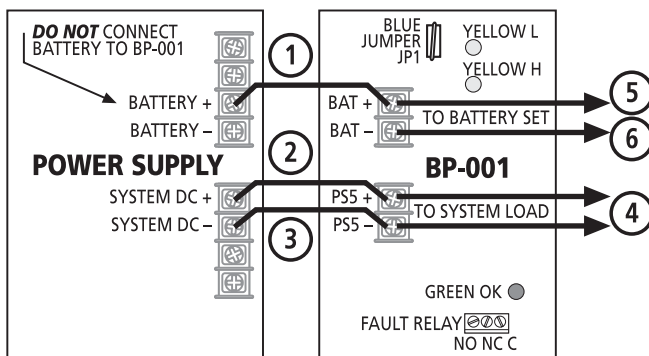


Fig. 3

### Operating the BP-001

- Unit is factory set for 12 VDC. For 24 VDC operation, cut the **BLUE** jumper (JP1).

**DO NOT CONNECT BATTERY SET WIRES TO BATTERY YET.**

- Power the system
  - Verify green **OK** LED on BP-001 is **OFF**. If this LED is on, wait one or two minutes for it to go out before connecting batteries.
  - Verify yellow **L** LED is **ON**

**⚠ CAUTION ⚠ Do NOT connect the batteries if the green OK LED is lit or damage to the system can occur.**

- Verify batteries are charged, then connect the battery set wires to the battery.
- Verify green **OK** LED on BP-001 is **ON**. If this LED does not come on, verify battery voltage.
- Verify yellow **L** LED is **OFF**.

### Visual Indicators

- Green **OK** LED illuminates when a properly charged battery, battery set is connected to the system.

**NOTE:** This light will go off within one minute when the batteries are disconnected. If the light does not go off, contact AlarmSaf for an RMA.

- Yellow **L** LED indicates LOW battery voltage.
- Yellow **H** LED indicates HIGH battery voltage.

**When servicing system or replacing batteries:  
be sure to follow WIRING and OPERATING instructions EXACTLY  
or damage to the system can occur.**