

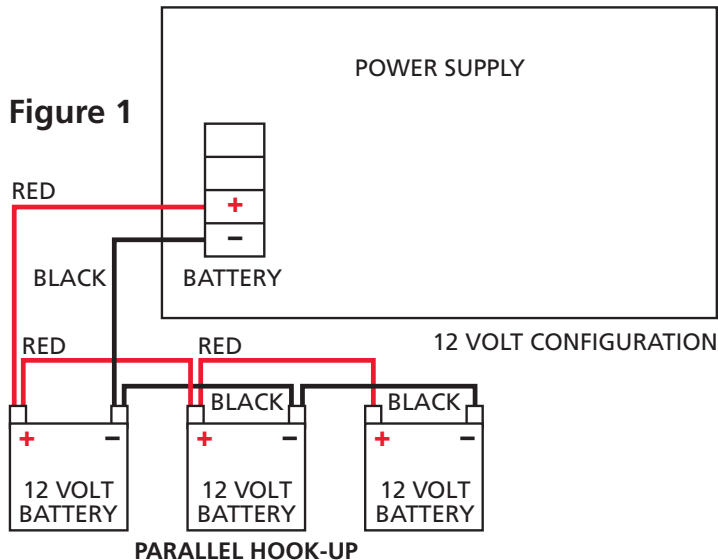


INSTALLATION INSTRUCTIONS

17Ah and 12Ah Battery Harnesses

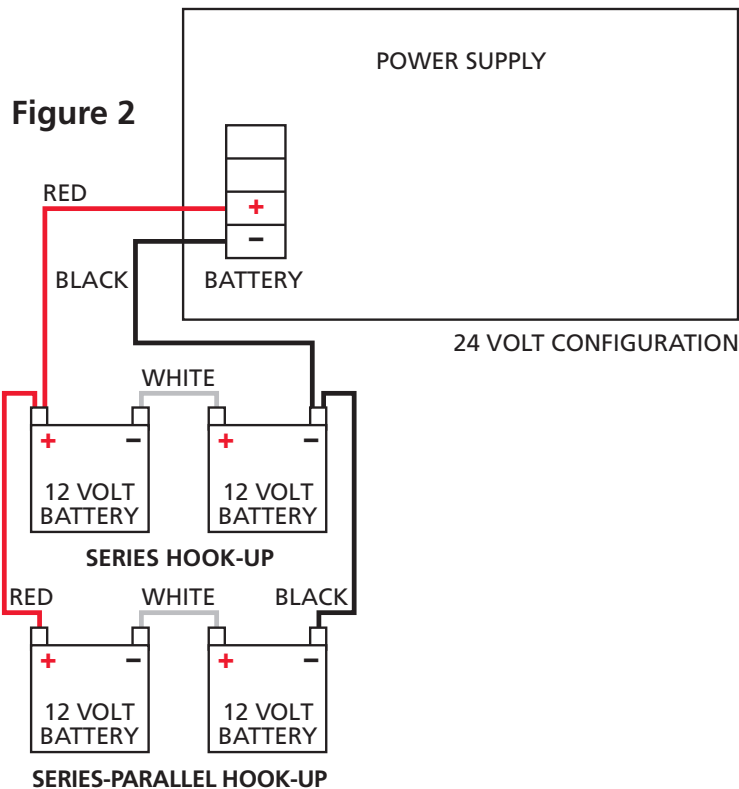
Parallel Connection (Figure 1)

- Place Twin Male Connectors on both terminals of all but one battery.
- Connect the spade lugs to the positive (red) terminal and negative (black) terminal of the power supply.
- Connect the quick disconnect terminals to the first battery's positive (red) terminal and negative (black) terminal.
- Connect the remaining red wires to each subsequent battery's positive (red) terminal and the remaining black wires to each subsequent negative (black) terminal.



Series Connection (Figure 2)

- Connect the spade lugs to the positive (red) terminal and negative (black) terminal of the power supply.
- Connect the quick disconnect terminals to the first battery's positive (red) terminal and the second battery's negative (black) terminal.
- Connect the quick disconnect terminals of the white lead to the first battery's negative (black) terminal and the second battery's positive (red) terminal.



Series-parallel Connection (Figure 2)

- Place Twin Male Connectors on both terminals of all but one battery.
- Connect the spade lugs to the positive (red) terminal and negative (black) terminal of the power supply.
- Connect the quick disconnect terminals to the first battery's positive (red) terminal and the second battery's negative (black) terminal.
- Connect the quick disconnect terminals of the white lead to the first battery's negative (black) terminal and the second battery's positive (red) terminal.
- Connect the remaining red wire to the third battery's positive (red) terminal and the remaining black wire to the fourth battery's negative (black) terminal.
- Connect the quick disconnect terminals of the white lead to the third battery's negative (black) terminal and the fourth battery's positive (red) terminal.

Order #	Part #	Connects
00511	BH-2B17P	Two 17Ah batteries for 12VDC @ 34Ah or two 12Ah batteries for 12VDC @ 24Ah
00512	BH-2B17S	Two 17Ah batteries for 24VDC @ 17Ah or two 12Ah batteries for 24VDC @ 12Ah
00513	BH-3B17P	Three 17Ah batteries for 12VDC @ 51Ah or three 12Ah batteries for 12VDC @ 36Ah
00514	BH-4B17P	Four 17Ah batteries for 12VDC @ 68Ah or four 12Ah batteries for 12VDC @ 48Ah
00515	BH-4B17SP	Four 17Ah batteries for 24VDC @ 34Ah or four 12Ah batteries for 24VDC @ 24Ah
00516	BH-1B17	One 17Ah battery for 12VDC @ 17Ah or One 12Ah battery for 12VDC @ 12Ah
00526	BH-2B17S-15	Two 17Ah batteries for 24VDC @ 17Ah or two 12Ah batteries for 24VDC @ 12Ah - 15 inches long